



RAM® Form-Fit Vehicle Docks for Getac ZX80

AVAILABLE SKUs



SEEN IN THIS PHOTO:

5433GA750R01
RAM® Form-Fit Locking Powered Dock
for Getac ZX80

Available SKUs List



5433GA750R11
RAM® Form-Fit Dock for
Getac ZX80



5433GA750R01
RAM® Form-Fit Locking Dock
for Getac ZX80



5433GA750R12
RAM® Form-Fit Powered
Dock for Getac ZX80



5433GA750R02
RAM® Form-Fit Locking
Powered Dock for Getac
ZX80



5433GA750R06
RAM® Power + Data Dock for
Getac ZX80



5433GA750R05
RAM® Locking Power + Data
Dock for Getac ZX80



5433GA750R04
RAM® Power + Dual USB
Data Dock for Getac ZX80



5433GA750R03
RAM® Locking Power + Dual
USB Data Dock for Getac
ZX80



CLICK OR SCAN
TO VIEW ALL PRODUCTS

PRIMARY MARKETS



UTILITIES



TRANSPORTATION &
LOGISTICS



MATERIAL HANDLING



MANUFACTURING



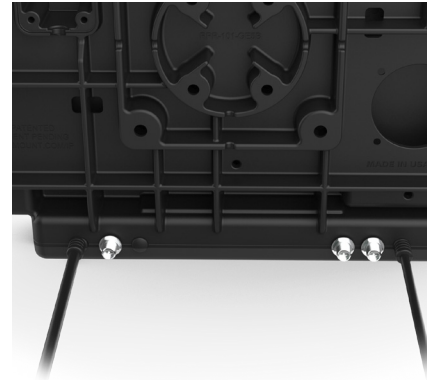
RAM® Form-Fit Vehicle Docks for Getac ZX80

FEATURES & BENEFITS



Add-on Mounting

Attachable side bracket for cable management and mounting small devices such as scanners, phones, printers, and more.



RF Pass-through

Upgradable expansion slots for Hirose RF antenna pass-through supports GPS, WWAN and WLAN.



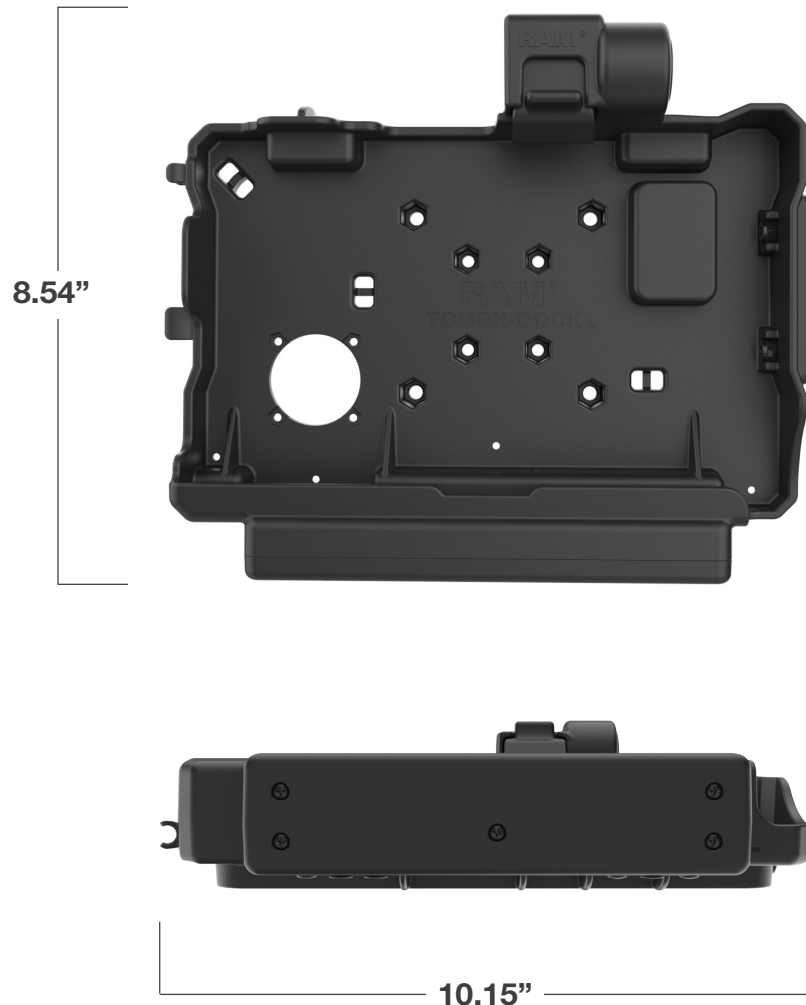
Seamless Connectivity

Pogo pins align with the device's pogo pads for a seamless charging experience, while two larger ground pins provide a return path for the electrical current and ensure proper alignment when docking the ZX80.



RAM® Form-Fit Vehicle Docks for Getac ZX80

DIMENSIONS



2.91"



Specifications

HOLE PATTERN

75 x 75mm VESA
4-Hole AMPS: 1.181" x 1.496"

MATERIAL

High-strength composite

INPUT CONNECTOR

5.5mm DC connector

INPUT VOLTAGE

14VDC

OUTPUT VOLTAGE

14V

INPUT CONNECTOR OPTIONS

USB Type-C for Power
Optional USB Type-A for 1 Peripheral
Optional USB Type-A for 2 Peripherals

PERIPHERAL OUTPUT

900mAh (per port)

INPUT CABLE LENGTH

1m

OUTPUT CABLE LENGTH

300mm

CERTIFICATIONS

FCC, IC, CE, UKCA, WEEE, RoHS



RAM® Form-Fit Vehicle Docks for Getac ZX80

COMPATIBLE MOUNTS



590GBL001439

RAM® Double Ball Mount with 75x75mm VESA Plate



590GBL001440

RAM® Twist-Lock™ Triple Suction Cup Mount with 75x75mm VESA Plate



590GBL001441

RAM® No-Drill™ Universal Vehicle Floor Mount



590GBL001132

RAM® 4" Square Post Clamp Mount with 75x75mm VESA Plate



RAM® Form-Fit Vehicle Docks for Getac ZX80 ACCESSORIES



590GBL001436

GDS® 10-32VDC Input (14VDC Output)
Hardwire Charger with Male DC 5.5mm



590GBL001137

RAM® NFC Extender with Drill-Down Double Ball
Mount



590GBL001139

RAM® Temp-Right™ Dock Heating Module for
GDS® Tough-Dock™



590GBL001442

RAM® Vent-Temp™ with Back Dock
Connection for Round Vents



590GBL001443

RAM® Vent-Temp™ with Back Dock
Connection for Rectangular Vents